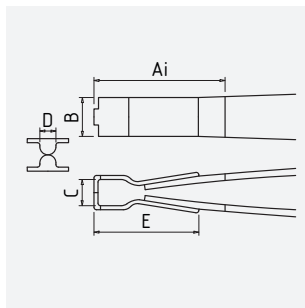


# ESD IC tweezers 125 mm, dissipative

<b>Art.-No.</b>	2-601-13
<b>Description</b>	ESD IC tweezers 125 mm, dissipative
<b>Application</b>	IC puller, IC remover, chip protection pliers, chip extractor, grasping shapes
<b>Specification</b>	for pick-up
<b>Material</b>	alloyed tool steel
<b>Surface/Coating</b>	ESD powder coated
<b>Features</b>	stainless, antimagnetic, acid-resistant,dissipative
<b>Surface resistance</b>	$10^6$ to $10^9$ Ohm
<b>Shape</b>	IC: Chip protection
<b>Icon No.</b>	IC1

## Dimensions and weight

B = 8.6 mm  
 C = 5.4 mm  
 D = 3.6 mm  
 E = 20 mm  
 Ai = /



length 125 mm  
 weight 22 g

## Application and technical data

IC tweezers for gripping, inserting and extracting ICs

Tool steel, corrosion protection by surface treatment, with ESD coating.