

# Components tweezers

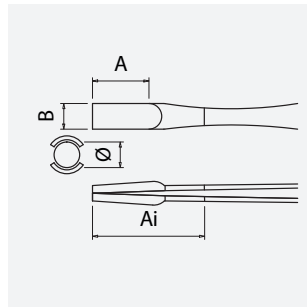
## 145 mm Form 64 long hollow

### Ø 5 mm/10 mm, insulated

<b>Art.-No.</b>	5-006
<b>Description</b>	Components tweezers 145 mm Form 64 long hollow Ø 5 mm/10 mm, insulated
<b>Application</b>	Gripping, holding and positioning tweezers, receptacle for geometrically shaped parts (pick-and-place)
<b>Specification</b>	with groove (gripping recess), insulated tips
<b>Material</b>	alloyed tool steel
<b>Surface/Coating</b>	polished, nickel plated, dip insulated
<b>Features</b>	abrasion resistant, insulated, stainless, wear-resistant
<b>Surface resistance</b>	/
<b>Shape</b>	DG: Geometric tips with diameter, straight
<b>Icon No.</b>	DG3

#### Dimensions and weight

A = 14 mm  
 B = 5.6 mm  
 Ai = 25 mm  
 Ø = 5 mm



length 145 mm  
 weight 23 g

#### Application and technical data

Tweezers for SMD/THT technology, for gripping round, cubic, cylindrical parts and components, mini MELFs, diodes, resistors. Or plugging and pulling of various plug-in transistors through bulbous or long-hollow receptacle.

Transistor tweezers made of steel (nickel-plated) with PVC-insulated curved gripper jaws.