

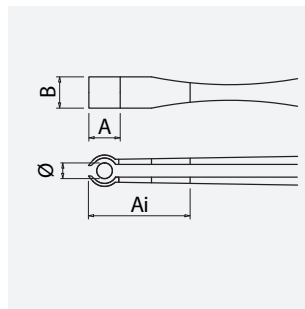
tweezers straight 145 mm

Ø 5 × 5 mm form 62 tips insulated

Art.-No.	5-007-5
Description	tweezers straight 145 mm Ø 5×5 mm form 62 tips insulated
Application	Gripping, holding and positioning tweezers, receptacle for geometrically shaped parts (pick-and-place)
Specification	with half-round jaws, insulated tips
Material	alloyed tool steel
Surface/Coating	polished, nickel plated, dip insulated
Features	abrasion resistant, insulated, stainless, wear-resistant
Surface resistance	/
Shape	DG: Geometric tips with diameter, straight
Icon No.	DG2

Dimensions and weight

A = 7 mm
 B = 6.2 mm
 Ai = 21 mm
 Ø = 5 mm



length 145 mm
 weight 22 g

Application and technical data

PVC dip-insulated tweezer tips prevent scratches, grease residues, dust residues on surfaces (lenses, prisms, mirrors and other parts / components to be protected). Optical components can be picked up and held on the mount in a non-slip and protected manner.

Tool steel, corrosion protection by surface treatment