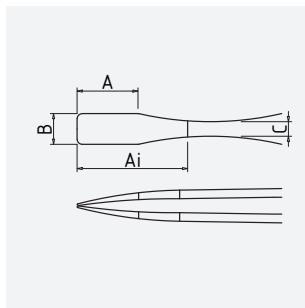


Component tweezers 145 mm 5 mm jaws insulated

Art.-No.	5-009
Description	Component tweezers 145 mm 5 mm jaws insulated
Application	assembly tweezers, grasping shapes
Specification	with insulated straight jaws
Material	alloyed tool steel
Surface/Coating	polished, nickel plated, dip insulated
Features	abrasion resistant, insulated, stainless, wear-resistant
Surface resistance	/
Shape	FG: Flat-wide tips, straight
Icon No.	FG1

Dimensions and weight

A = 13 mm
B = 6 mm
C = 3 mm
Ai = 25 mm



length 145 mm
weight 25 g

Application and technical data

Assembly tweezers for gripping flat components.

Tool steel, corrosion protection by surface treatment