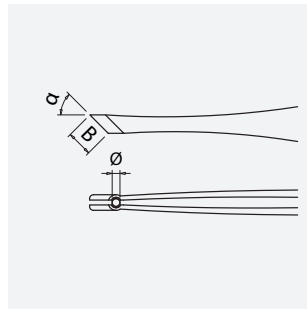


Component tweezers 125 mm Form 63 stainless steel diagonal-Ø 1,5×5 mm

Art.-No.	5-013-7
Description	Component tweezers 125 mm Form 63 stainless steel diagonal-Ø 1,5×5 mm
Application	Gripping, holding and positioning tweezers, receptacle for geometrically shaped parts (pick-and-place)
Specification	with groove (gripping recess)
Material	stainless steel
Surface/Coating	matt finish
Features	stainless, antimagnetic, acid-resistant
Surface resistance	/
Shape	DG: Geometric tips with diameter, straight
Icon No.	DG1

Dimensions and weight

B = 5 mm
angle = 45°
Ø = Ø 1.5



length 125 mm
weight 15 g

Application and technical data

Tweezers for SMD/THT technology, for gripping cylindrical components and components Mini MELFs, diodes, resistors, or simple holding of wires. For easy pulling and inserting of round or cubic components, bulbous or long-hollow receptacles are suitable.

100% stainless steel anti-magnetic, rust and acid resistant, non-reflective matt fine polished. Stainless austenitic chromium nickel quality steel with low carbon content, for good corrosion resistance (not seawater resistant).