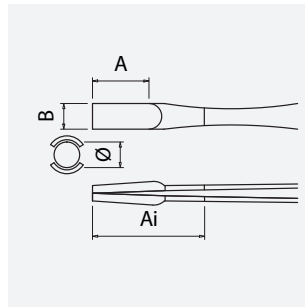


# Grip tweezers 125 mm Form 55 stainless steel long hollow Ø 2×10 mm

<b>Art.-No.</b>	5-016-7
<b>Description</b>	Grip tweezers 125 mm Form 55 stainless steel long hollow Ø 2×10 mm
<b>Application</b>	Gripping, holding and positioning tweezers, receptacle for geometrically shaped parts (pick-and-place)
<b>Specification</b>	with groove (gripping recess)
<b>Material</b>	stainless steel
<b>Surface/Coating</b>	matt finish
<b>Features</b>	stainless, antimagnetic, acid-resistant
<b>Surface resistance</b>	/
<b>Shape</b>	DG: Geometric tips with diameter, straight
<b>Icon No.</b>	DG3

## Dimensions and weight

A = 10.5 mm  
B = 3.1 mm  
Ai = /  
Ø = 2 mm



length 125 mm  
weight 15 g

## Application and technical data

Tweezers for SMD/THT technology, for gripping cylindrical components and components Mini MELFs, diodes, resistors, or simple holding of wires. For easy pulling and inserting of round or cubic components, bulbous or long-hollow receptacles are suitable.

100% stainless steel anti-magnetic, rust and acid resistant, non-reflective matt fine polished. Stainless austenitic chromium nickel quality steel with low carbon content, for good corrosion resistance (not seawater resistant).