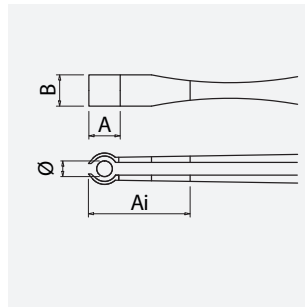


SMD tweezers 120 mm form 50 stainless steel tip $\varnothing 0.8 \times 3.0$ mm

| | |
|---------------------------|--|
| Art.-No. | 5-065 |
| Description | SMD tweezers 120 mm form 50 stainless steel tip $\varnothing 0.8 \times 3.0$ mm |
| Application | Gripping, holding and positioning tweezers, receptacle for geometrically shaped parts (pick-and-place) |
| Specification | with groove (gripping recess) |
| Material | stainless steel |
| Surface/Coating | matt finish |
| Features | stainless, antimagnetic, acid-resistant |
| Surface resistance | / |
| Shape | DG: Geometric tips with diameter, straight |
| Icon No. | DG2 |

Dimensions and weight

A = 2.3 mm
B = 3 mm
Ai = /
 $\varnothing = 0.8$ mm



length 120 mm
weight 16 g

Application and technical data

Tweezers for SMD/THT technology, for gripping cylindrical components and components Mini MELFs, diodes, resistors, or simple holding of wires. For easy pulling and inserting of round or cubic components, bulbous or long-hollow receptacles are suitable.

100% stainless steel anti-magnetic, rust and acid resistant, non-reflective matt fine polished. Stainless austenitic chromium nickel quality steel with low carbon content, for good corrosion resistance (not seawater resistant).