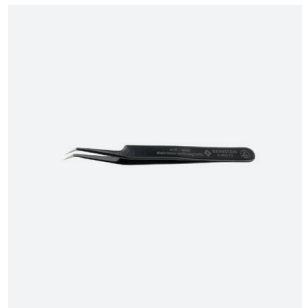
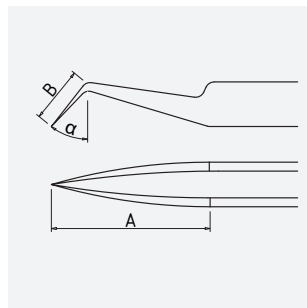


ESD SMD tweezers 115 mm form 5abb-Z stainless steel angle 30° serrated, dissipative

Art.-No.	5-069-13
Description	ESD SMD tweezers 115 mm form 5abb-Z stainless steel angle 30° serrated, dissipative
Application	assembly tweezers, SMD/THT, precision tweezers
Specification	with serration
Material	stainless steel
Surface/Coating	ESD powder coated
Features	stainless, antimagnetic, acid-resistant, dissipative
Surface resistance	10^6 to 10^9 Ohm
Shape	TB: Tapered tips bent
Icon No.	TB2

Dimensions and weight

A = 35 mm
B = 7.5 mm
angle = 30°



length 115 mm
weight 15 g

Application and technical data

Tweezers for SMD/THT technology.

Austenitic chromium-nickel stainless steel with low carbon content for good corrosion resistance (not seawater resistant).