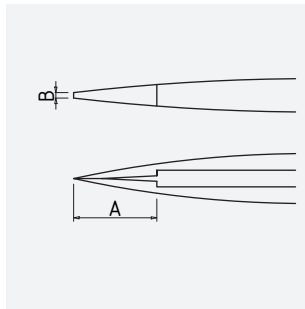


Universal tweezers 140 mm form BB stainless steel

Art.-No.	5-075
Description	Universal tweezers 140 mm form BB stainless steel
Application	assembly tweezers, SMD/THT, precision tweezers
Specification	not serrated jaws
Material	stainless steel
Surface/Coating	matt finish
Features	stainless, antimagnetic, acid-resistant
Surface resistance	/
Shape	NG: Normal tips straight
Icon No.	NG3

Dimensions and weight

A = 8 mm
B = 0.2 mm



length 140 mm
weight 13 g

Application and technical data

Tweezers for SMD/THT technology.

Austenitic chromium-nickel stainless steel with low carbon content for good corrosion resistance (not seawater resistant).