

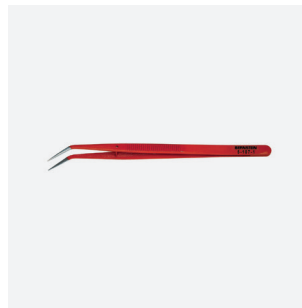
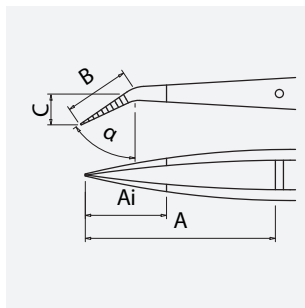
Anatomical tweezers 150 mm form 22b, with guide pin, serrated, lacquered

Art.-No.	5-107-1
Description	Anatomical tweezers 150 mm form 22b, with guide pin, serrated, lacquered
Application	precision mechanics tweezers
Specification	with serration
Material	alloyed tool steel
Surface/Coating	lacquered
Features	antiallergical coated
Surface resistance	/
Shape	NB: Normal tips bent
Icon No.	NB2

Dimensions and weight

A = 45 mm
B = 18 mm
C = 10 mm
Ai = 16 mm
angle = 60°

length 150 mm
weight 23 g



Application and technical data

Mechanic tweezers with non-slip grip grooves for a secure hold, bent tips, fine serrated.

Tool steel, corrosion protection by surface treatment