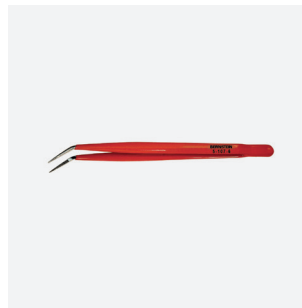
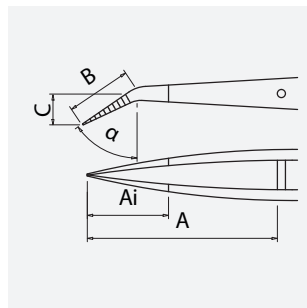


tweezers 150 mm form 22b serrated, insulated

Art.-No.	5-107-6
Description	tweezers 150 mm form 22b serrated, insulated
Application	precision mechanics tweezers
Specification	with serration
Material	alloyed tool steel
Surface/Coating	polished, nickel plated, dip insulated
Features	abrasion resistant, insulated, stainless, wear-resistant
Surface resistance	/
Shape	NB: Normal tips bent
Icon No.	NB2

Dimensions and weight

B = 18 mm
C = 10 mm
Ai = 16 mm
angle = 60°



length 150 mm
weight 27 g

Application and technical data

Mechanic tweezers with non-slip grip grooves for a secure hold, bent tips, fine serrated.

Tool steel, corrosion protection by surface treatment