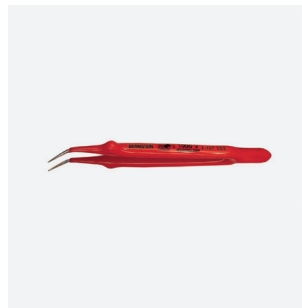
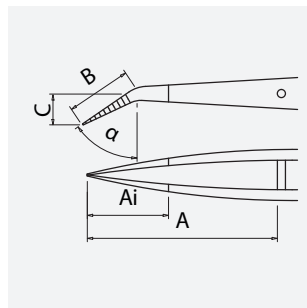


VDE tweezers 150 mm form 22b serrated

Art.-No.	5-107-VDE
Description	VDE tweezers 150 mm form 22b serrated
Application	Electrician, precision mechanic tweezers
Specification	serrated gripping surface, insulation VDE/GS mark, double triangle DIN IEC60900/EN60900
Material	alloyed tool steel
Surface/Coating	polished, nickel plated, dip insulated
Features	abrasion resistant, insulated, stainless, wear-resistant
Surface resistance	VDE / GS sign and double triangle
Shape	NB: Normal tips bent
Icon No.	NB2

Dimensions and weight

B = 18 mm
 C = 11 mm
 Ai = 16 mm
 angle = 45°



length 150 mm
 weight 37 g

Application and technical data

Mechanic tweezers with non-slip grip grooves for a secure hold, bent tips, fine serrated.

With two-color multilayer dip insulation outside red - inside yellow. Damage to the outer red insulation is immediately visible through the yellow insulation underneath. The advantage is a simple and always visible safety control. Our VDE tools are unit-tested according to VDE EN 60900 / IEC 60900, and approved for live working up to 1000 volts. The insulations are REACH-compliant and phthalate-free.