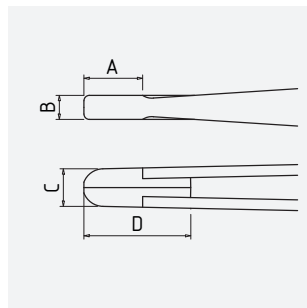


ESD thermal tweezers 145 mm form 61 stainless steel dissipative

Art.-No.	5-114-7-13
Description	ESD thermal tweezers 145 mm form 61 stainless steel dissipative
Application	thermal tweezers, soldering tweezers
Specification	copper jaws
Material	stainless steel
Surface/Coating	ESD powder coated
Features	stainless, antimagnetic, acid-resistant, dissipative
Surface resistance	10^6 to 10^9 Ohm
Shape	CU: Copper jaws
Icon No.	CU1

Dimensions and weight

A = 13 mm
 B = 6 mm
 C = 5 mm
 D = /
 Ø = 11 mm



length 145 mm
 weight 23 g

Application and technical data

Heat dissipation tweezers for soldering transistors, gold wire diodes.

Austenitic chromium-nickel stainless steel with low carbon content for good corrosion resistance (not seawater resistant).