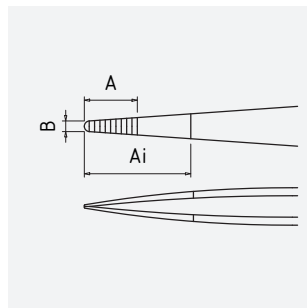


# Anatomical tweezers 145 mm form 40 serrated, lacquered

<b>Art.-No.</b>	5-117-1
<b>Description</b>	Anatomical tweezers 145 mm form 40 serrated, lacquered
<b>Application</b>	precision mechanics tweezers
<b>Specification</b>	with serration
<b>Material</b>	alloyed tool steel
<b>Surface/Coating</b>	lacquered
<b>Features</b>	antiallergical coated
<b>Surface resistance</b>	/
<b>Shape</b>	NG: Normal tips straight
<b>Icon No.</b>	NG5

## Dimensions and weight

A = 16 mm  
B = 3 mm  
Ai = 19 mm



length 145 mm  
weight 26 g

## Application and technical data

Mechanic tweezers steel, heavy model, straight round wide with serrations.

Tool steel, corrosion protection by surface treatment