

tweezers straight 145 mm form 40 tips insulated

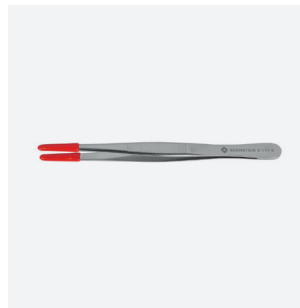
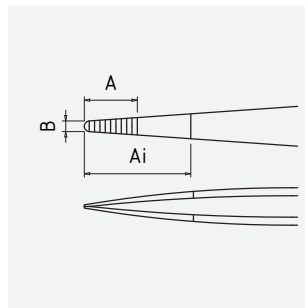
Art.-No.	5-117-5
Description	tweezers straight 145 mm form 40 tips insulated
Application	precision mechanics tweezers, grasping shapes
Specification	insulated

Material	alloyed tool steel
Surface/Coating	polished, nickel plated, dip insulated
Features	abrasion resistant, insulated, stainless, wear-resistant
Surface resistance	/

Shape	NG: Normal tips straight
Icon No.	NG5

Dimensions and weight

A = /
B = 4,5 mm
Ai = 22 mm



weight 27 g
weight 27 g

Application and technical data

Steel mechanic tweezers, heavy model, straight round wide with serration.

PVC dip insulated tweezers tips prevent scratch, grease residue, dust residue on surfaces (lenses, prisms, mirrors and other parts / components to be protected). Optical components can be picked up and held on the mount in a non-slip and protected manner.

Tool steel, corrosion protection by surface treatment