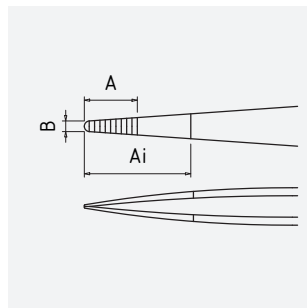


tweezers 145 mm form 40 serrated, insulated

Art.-No.	5-117-6
Description	tweezers 145 mm form 40 serrated, insulated
Application	precision mechanics tweezers
Specification	with serration
Material	alloyed tool steel
Surface/Coating	polished, nickel plated, dip insulated
Features	abrasion resistant, insulated, stainless, wear-resistant
Surface resistance	/
Shape	NG: Normal tips straight
Icon No.	NG5

Dimensions and weight

A = 16 mm
B = 3 mm
Ai = 19 mm



length 145 mm
weight 31 g

Application and technical data

Mechanic tweezers steel, heavy model, straight round wide with serrations.

Tool steel, corrosion protection by surface treatment