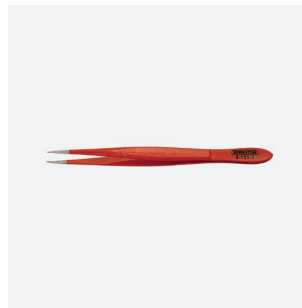
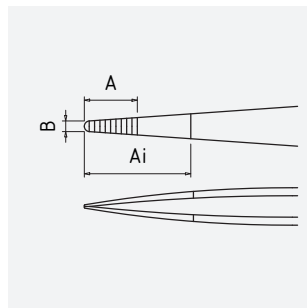


Anatomical tweezers 120 mm form 16 serrated, lacquered

Art.-No.	5-121-1
Description	Anatomical tweezers 120 mm form 16 serrated, lacquered
Application	precision mechanics tweezers
Specification	finely serrated
Material	alloyed tool steel
Surface/Coating	lacquered
Features	antiallergical coated
Surface resistance	/
Shape	NG: Normal tips straight
Icon No.	NG5

Dimensions and weight

A = 10 mm
B = 1 mm
Ai = 14 mm



length 120 mm
weight 14 g

Application and technical data

Mechanic's tweezers with non-slip grip grooves for a secure grip, heavy model, straight round wide with serrations.

Tool steel, corrosion protection by surface treatment