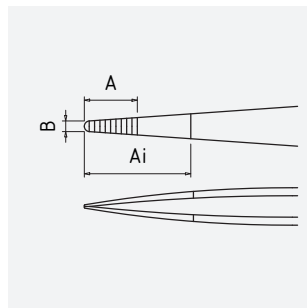


Anatomical tweezers 120 mm form 16 serrated insulated

Art.-No.	5-121-6
Description	Anatomical tweezers 120 mm form 16 serrated insulated
Application	precision mechanics tweezers
Specification	finely serrated
Material	alloyed tool steel
Surface/Coating	polished, nickel plated, dip insulated
Features	abrasion resistant, insulated, stainless, wear-resistant
Surface resistance	/
Shape	NG: Normal tips straight
Icon No.	NG5

Dimensions and weight

A = 10 mm
B = 1 mm
Ai = 19 mm



length 120 mm
weight 17 g

Application and technical data

Mechanic's tweezers steel, heavy model, straight round wide with serrations, with non-slip grip grooves for a secure grip.

Tool steel, corrosion protection by surface treatment