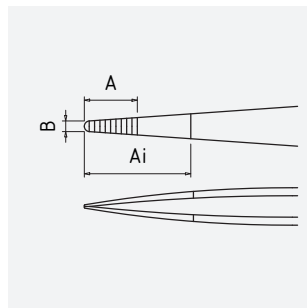


Anatomical tweezers 120 mm form 16 serrated

Art.-No.	5-121
Description	Anatomical tweezers 120 mm form 16 serrated
Application	Engineering, precision mechanics, watchmakers, jewelers, medicine
Specification	finely serrated
Material	alloyed tool steel
Surface/Coating	polished, nickel plated
Features	abrasion resistant, stainless, stable (sturdy)
Surface resistance	/
Shape	NG: Normal tips straight
Icon No.	NG5

Dimensions and weight

A = 10 mm
B = 1 mm
Ai = /



length 120 mm
weight 14 g

Application and technical data

Mechanic's tweezers steel, straight round wide with serrations, with non-slip grip grooves for a secure grip.

Tool steel, corrosion protection by surface treatment