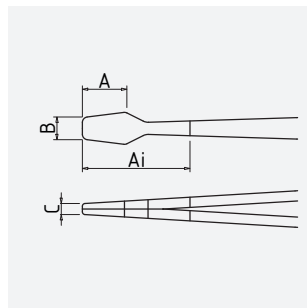


Cross tweezers 160 mm form R30 with gripper jaws serrated, lacquered

Art.-No.	5-155-1
Description	Cross tweezers 160 mm form R30 with gripper jaws serrated, lacquered
Application	cross (jaw) tweezers, self-holding
Specification	finely serrated, shovel-like gripping jaws
Material	alloyed tool steel
Surface/Coating	lacquered
Features	antiallergical coated
Surface resistance	/
Shape	FG: Flat-wide tips, straight
Icon No.	FG2

Dimensions and weight

A = 9,5 mm
 B = 5 mm
 C = 2,8 mm
 Ai = 14 mm



length 160 mm
 weight 40 g

Application and technical data

Cross tweezers (holding tweezers) made of steel, with scoop-like gripping jaws, fine serrated.

Tool steel, corrosion protection by surface treatment