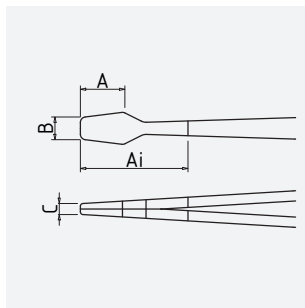


Cross tweezers straight 160 mm form R30 tips insulated

Art.-No.	5-155-5
Description	Cross tweezers straight 160 mm form R30 tips insulated
Application	cross (jaw) tweezers, grasping shapes
Specification	shovel-like gripping jaws, insulated tips
Material	alloyed tool steel
Surface/Coating	polished, nickel plated, dip insulated
Features	abrasion resistant, insulated, stainless, wear-resistant
Surface resistance	/
Shape	FG: Flat-wide tips, straight
Icon No.	FG2

Dimensions and weight

A = 10.5 mm
B = 5.9 mm
C = 5.5 mm
Ai = 19 mm



weight 35 g
weight 35 g

Application and technical data

PVC dip-insulated tweezer tips prevent scratches, grease residues, dust residues on surfaces (lenses, prisms, mirrors and other parts / components to be protected). Optical components can be picked up and held on the mount in a non-slip and protected manner.

Tool steel, corrosion protection by surface treatment