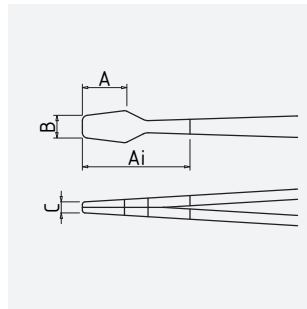


Cross tweezers 160 mm form R30 with gripper jaws serrated

Art.-No.	5-155
Description	Cross tweezers 160 mm form R30 with gripper jaws serrated
Application	Engineering, precision mechanics, watchmakers, jewelers, medicine, cross (jaw) tweezers self-holding
Specification	finely serrated, shovel-like gripping jaws
Material	alloyed tool steel
Surface/Coating	polished, nickel plated
Features	abrasion resistant, stainless, stable (sturdy)
Surface resistance	/
Shape	FG: Flat-wide tips, straight
Icon No.	FG2

Dimensions and weight

A = 9,5 mm
B = 5 mm
C = 3,0 mm
Ai = /



length 160 mm
weight 35 g

Application and technical data

Cross tweezers (holding tweezers) made of steel, with scoop-like gripping jaws, fine serrated.

Tool steel, corrosion protection by surface treatment