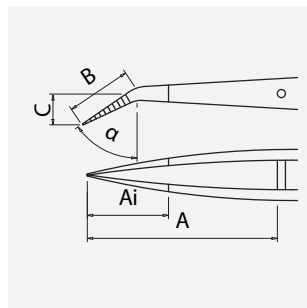


# Soldering cross tweezers 160 mm form R29b stainless steel plastic hand-guard

<b>Art.-No.</b>	5-156-7
<b>Description</b>	Soldering cross tweezers 160 mm form R29b stainless steel plastic hand-guard
<b>Application</b>	Soldering cross tweezers (self-locking), self-holding
<b>Specification</b>	not serrated jaws
<b>Material</b>	Stainless steel + plastic handle
<b>Surface/Coating</b>	matt finish
<b>Features</b>	stainless, antimagnetic, acid-resistant
<b>Surface resistance</b>	/
<b>Shape</b>	NB: Normal tips bent
<b>Icon No.</b>	NB2

## Dimensions and weight

A = 45 mm  
B = 8 mm  
C = 10 mm  
Ai = 16 mm  
angle = 60°



length 160 mm  
weight 29 g

## Application and technical data

Soldering cross tweezers (holding tweezers) made of steel, with fine, smooth, bent tips, plastic handle surfaces.

Austenitic chromium-nickel stainless steel with low carbon content for good corrosion resistance (not seawater resistant).