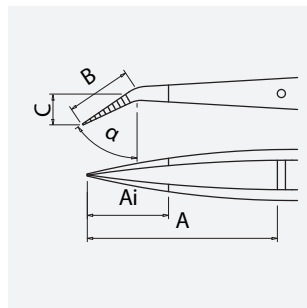


Soldering cross tweezers 160 mm form R29b plastic hand-guard

Art.-No.	5-156
Description	Soldering cross tweezers 160 mm form R29b plastic hand-guard
Application	cross (jaw) tweezers, self-holding
Specification	not serrated jaws
Material	alloyed tool steel
Surface/Coating	polished, nickel plated
Features	abrasion resistant, stainless, stable (sturdy)
Surface resistance	/
Shape	NB: Normal tips bent
Icon No.	NB2

Dimensions and weight

A = 45 mm
B = 8 mm
C = 10 mm
Ai = 16 mm
angle = 60°



length 160 mm
weight 29 g

Application and technical data

Soldering cross tweezers (holding tweezers) made of steel, with fine, smooth, bent tips, plastic handle surfaces.

Tool steel, corrosion protection by surface treatment