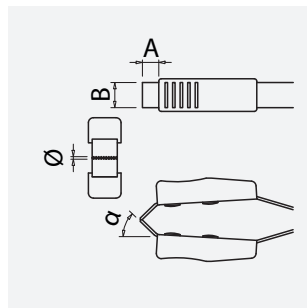


# Replacement knives for 5-181 (pair)

<b>Art.-No.</b>	5-182
<b>Description</b>	Replacement knives for 5-181 (pair)
<b>Application</b>	for removing insulating varnish from wires
<b>Specification</b>	interchangeable blades for wires $\varnothing$ 0.6 mm
<b>Material</b>	steel burnished
<b>Surface/Coating</b>	burnished, degreased
<b>Features</b>	non-reflecting, hard
<b>Surface resistance</b>	/
<b>Shape</b>	SCR: Scrapper
<b>Icon No.</b>	SCR1

## Dimensions and weight

A = 20 mm  
 B = 10 mm  
 angle = 38°  
 $\varnothing$  = 0.6 mm



length 20 mm  
 weight 2 g

## Application and technical data

Replacement blade for paint stripper tweezers (Art.No. 5-181) for removing paint insulation from copper wires.