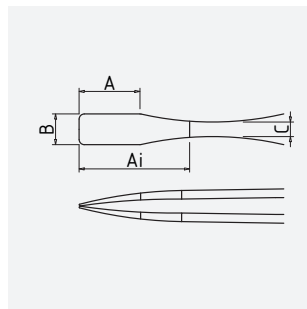


ESD plastic tweezers 120 mm form 35 tips 6 mm wide

Art.-No.	5-193
Description	ESD plastic tweezers 120 mm form 35 tips 6 mm wide
Application	Precision mechanics, electronics, SMD/THT assembly, precision work, jewelers, watchmakers
Specification	not serrated jaws
Material	ESD plastic Vestamid PA12
Surface/Coating	/
Features	abrasion resistant, antistatic, heat-resistant, solder-repellent, acid-resistant, stable (sturdy), wear-resistant, conductive
Surface resistance	10^3 to 10^4 Ohm
Shape	FG: Flat-wide tips, straight
Icon No.	FG1

Dimensions and weight

A = 5 mm
B = 6.3 mm
C = 1 mm
Ai = /



length 120 mm
weight 5 g

Application and technical data

ESD tweezers permanently antistatic, electrically conductive made of glass fiber reinforced plastic material (Vestamid), anti-magnetic, resistant to acids, very heat resistant up to 175° C, free of silicone and Armin. For working in clean rooms or on technical equipment, sensors, lithography machines, mirrors and optics of laser equipment or in general machine and apparatus construction. In order to optimally hold components with constant pressure, these tweezers ensure an exactly coordinated tip closure.

Material PA12 Vestamid L-series (cleanroom compatible). Properties: water repellent, exceptional impact strength and notched impact strength even well below freezing point, good to very good resistance to greases, oils, fuels, hydraulic fluids, many solvents as well as salt solutions and other chemicals, excellent stress cracking resistance, excellent abrasion resistance, low coefficient of sliding friction when dry compared to steel, polybutylene terephthalate, polyacetal, noise and vibration damping properties.