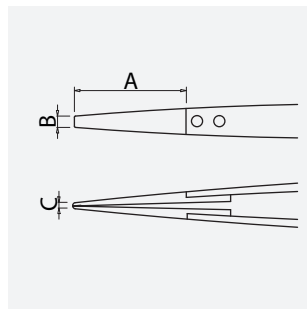


# ESD replacement tips for 5-433 (pair) 1.0 mm wide, conductive

<b>Art.-No.</b>	5-433-0
<b>Description</b>	ESD replacement tips for 5-433 (pair) 1.0 mm wide, conductive
<b>Application</b>	Precision mechanics, electronics, SMD/THT assembly, precision work, jewelers, watchmakers
<b>Specification</b>	not serrated jaws
<b>Material</b>	ESD plastic CFK (Carbon fiber reinforced plastic)
<b>Surface/Coating</b>	/
<b>Features</b>	abrasion resistant, antistatic, heat-resistant, solder-repellent, acid-resistant, stable (sturdy), wear-resistant
<b>Surface resistance</b>	$10^2$ to $10^3$ Ohm
<b>Shape</b>	AG: Interchangeable tips straight
<b>Icon No.</b>	AG3

## Dimensions and weight

A = 26 mm  
B = 1.2 mm  
C = 1 mm



length 42 mm  
weight 2 g

## Application and technical data

Replaceable CARBOFIB tips (plastic fibers) for very sensitive components, very conductive  $10^2$  to  $10^3$  Ohm.

Carbon fiber reinforced plastic (CFRP = Carbon Fiber Reinforced Plastic) is electrically and thermally very conductive and is characterized by high abrasion resistance and scratch resistance. It has a negative coefficient of thermal expansion in the longitudinal direction, which is why they initially become shorter and thicker when heated. Temperature stable up to 130° degrees, short term up to 190° degrees. Specific heat capacity: 710 J/(kg·K) Thermal conductivity: 17 W/(m·K) Coefficient of thermal expansion:  $0.1 \cdot 10^{-6}/K$ . CARBOFIB is fully resilient, fatigue resistant, vibration damping and water repellent. With high resistance to most acids, alkalis and solvents. The tweezers body made of high quality stainless steel is anti-magnetic and acid resistant.