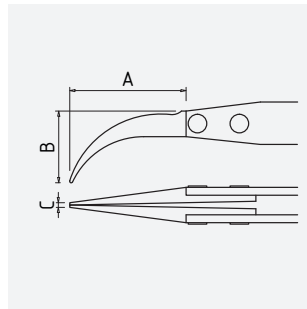


ESD replacement tips for 5-436 (pair) curved 0.2 mm wide, conductive

Art.-No.	5-436-0
Description	ESD replacement tips for 5-436 (pair) curved 0.2 mm wide, conductive
Application	Precision mechanics, electronics, SMD/THT assembly, precision work, jewelers, watchmakers
Specification	not serrated jaws
Material	ESD plastic CFK (Carbon fiber reinforced plastic)
Surface/Coating	/
Features	abrasion resistant, antistatic, heat-resistant, solder-repellent, acid-resistant, stable (sturdy), wear-resistant
Surface resistance	10^2 to 10^3 Ohm
Shape	AB: Interchangeable tips bent
Icon No.	AB1

Dimensions and weight

A = 25 mm
B = 15 mm
C = 1 mm



length 42 mm
weight 2 g

Application and technical data

Replaceable CARBOFIB tips (plastic fibers) for very sensitive components, very conductive 10^2 to 10^3 Ohm.

Carbon fiber reinforced plastic (CFRP = Carbon Fiber Reinforced Plastic) is electrically and thermally very conductive and is characterized by high abrasion resistance and scratch resistance. It has a negative coefficient of thermal expansion in the longitudinal direction, which is why they initially become shorter and thicker when heated. Temperature stable up to 130° degrees, short term up to 190° degrees. Specific heat capacity: 710 J/(kg·K) Thermal conductivity: 17 W/(m·K) Coefficient of thermal expansion: $0.1 \cdot 10^{-6}/K$. CARBOFIB is fully resilient, fatigue resistant, vibration damping and water repellent. With high resistance to most acids, alkalis and solvents. The tweezers body made of high quality stainless steel is anti-magnetic and acid resistant.