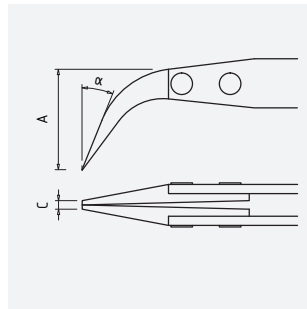


ESD changeable tips tweezers bent 0.1 mm wide, conductive

Art.-No.	5-437
Description	ESD changeable tips tweezers bent 0.1 mm wide, conductive
Application	Precision mechanics, electronics, SMD/THT assembly, precision work, jewelers, watchmakers
Specification	not serrated jaws
Material	Stainless steel + ESD plastic CFK (Carbon fiber reinforced plastic)
Surface/Coating	matt finish
Features	abrasion resistant, antistatic, heat-resistant, solder-repellent, acid-resistant, stable (sturdy), wear-resistant
Surface resistance	10^2 to 10^3 Ohm
Shape	AB: Interchangeable tips bent
Icon No.	AB2

Dimensions and weight

A = 20 mm
C = 1.6 mm
angle = 45°



length 125 mm
weight 18 g

Application and technical data

Special tweezers with replaceable CARBOFIB tips (plastic fibers) for very sensitive components, very conductive 10^2 to 10^3 Ohm.

Carbon fiber-reinforced plastic (CFRP = carbon fiber-reinforced plastic) is electrically and thermally very conductive and is characterized by high abrasion resistance and scratch resistance. It has a negative coefficient of thermal expansion in the longitudinal direction, which is why they initially become shorter and thicker when heated. Temperature stable up to 130° degrees, short term up to 190° degrees. Specific heat capacity: 710 J/(kg·K) Thermal conductivity: 17 W/(m·K) Coefficient of thermal expansion: $0.1 \cdot 10^{-6}/K$. CARBOFIB is fully resilient, fatigue resistant, vibration damping and water repellent. With high resistance to most acids, alkalis and solvents. The tweezers body made of high quality stainless steel is anti-magnetic and acid resistant.