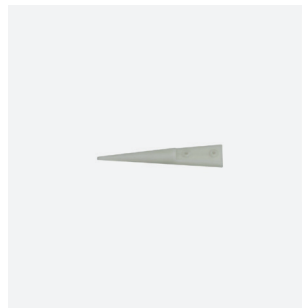
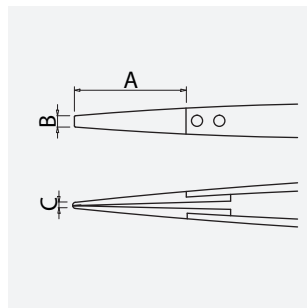


Delrin replacement tips for 5-441 (pair) 1.0 mm wide, insulated

| | |
|---------------------------|-------------------------------------------------------------------------------------------------------|
| Art.-No. | 5-443-0 |
| Description | Delrin replacement tips for 5-441 (pair) 1.0 mm wide, insulated |
| Application | Precision mechanics, electronics, SMD/THT assembly, precision work, jewelers, watchmakers |
| Specification | smooth gripping for high stress without deforming |
| Material | Delrin |
| Surface/Coating | / |
| Features | abrasion resistant, acid-resistant, antimagnetic, antistatic, fully insulated, stable, wear-resistant |
| Surface resistance | 10^{13} to 10^{15} Ohm |
| Shape | AG: Interchangeable tips straight |
| Icon No. | AG3 |

Dimensions and weight

A = 26 mm
B = 1.1 mm
C = 1 mm



length 42 mm
weight 2 g

Application and technical data

Replaceable DELRIN tips for very sensitive components.

DELRIN is a universal plastic for functional parts in precision mechanics or apparatus engineering with outstanding technical properties: low frictional resistance, good abrasion resistance, excellent spring capacity, high fatigue strength, good electrical properties, high dielectric strength, low dielectric loss factor, good chemical resistance especially against solvents, very resistant to stress cracking. The tweezer body is made of high quality stainless steel, antimagnetic and acid resistant.