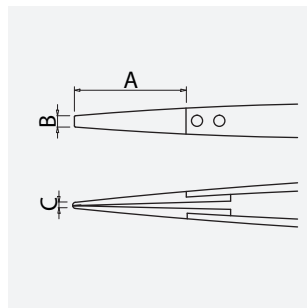


# Delrin tweezers 125 mm with interchangeable tips 1.0 mm wide, insulating

<b>Art.-No.</b>	5-443
<b>Description</b>	Delrin tweezers 125 mm with interchangeable tips 1.0 mm wide, insulating
<b>Application</b>	Precision mechanics, electronics, SMD/THT assembly, precision work, jewelers, watchmakers
<b>Specification</b>	smooth gripping for high stress without deforming
<b>Material</b>	Stainless steel + Delrin
<b>Surface/Coating</b>	matt finish
<b>Features</b>	abrasion resistant, acid-resistant, antimagnetic, antistatic, fully insulated, stable, wear-resistant
<b>Surface resistance</b>	$10^{13}$ to $10^{15}$ Ohm
<b>Shape</b>	AG: Interchangeable tips straight
<b>Icon No.</b>	AG3

## Dimensions and weight

A = 26 mm  
B = 1.1 mm  
C = 1 mm



length 125 mm  
weight 17 g

## Application and technical data

Special tweezers with replaceable DELRIN tips for very sensitive components.

DELRIN is a universal plastic for functional parts in precision mechanics or apparatus engineering with outstanding technical properties: low frictional resistance, good abrasion resistance, excellent spring capacity, high fatigue strength, good electrical properties, high dielectric strength, low dielectric loss factor, good chemical resistance especially against solvents, very resistant to stress cracking. The tweezer body is made of high quality stainless steel, antimagnetic and acid resistant.