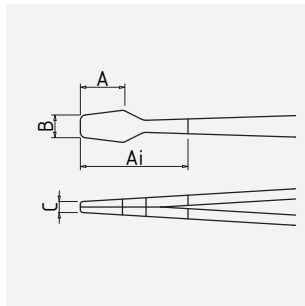


ESD SMD tweezers 120 mm form 26 stainless steel, dissipative

Art.-No.	5-865-13
Description	ESD SMD tweezers 120 mm form 26 stainless steel, dissipative
Application	assembly tweezers, SMD/THT, precision tweezers, component tweezers, grasping shapes
Specification	not serrated jaws
Material	stainless steel
Surface/Coating	ESD powder coated
Features	stainless, antimagnetic, acid-resistant, dissipative
Surface resistance	10^6 to 10^9 Ohm
Shape	FG: Flat-wide tips, straight
Icon No.	FG2

Dimensions and weight

A = 6 mm
 B = 4 mm
 C = 2.6 mm
 Ai = 13 mm



length 120 mm
 weight 17 g

Application and technical data

Tweezers for SMD/THT technology.

Austenitic chromium-nickel stainless steel with low carbon content for good corrosion resistance (not seawater resistant).