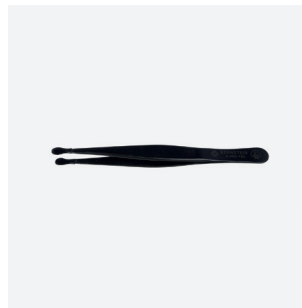
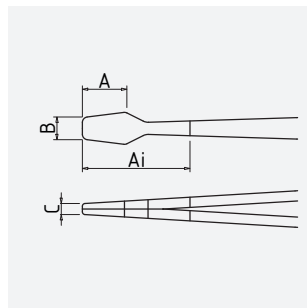


ESD SMD tweezers 120 mm shape 26 dissipative, tip ESD insulated

Art.-No.	5-865-135
Description	ESD SMD tweezers 120 mm shape 26 dissipative, tip ESD insulated
Application	assembly tweezers, SMD/THT, precision tweezers, component tweezers, grasping shapes
Specification	not serrated jaws
Material	stainless steel
Surface/Coating	ESD powder coated, dip insulated
Features	stainless, antimagnetic, acid-resistant, dissipative
Surface resistance	10^6 to 10^9 Ohm
Shape	FG: Flat-wide tips, straight
Icon No.	FG2

Dimensions and weight

A = 7 mm
B = 4.6 mm
C = 3.3 mm
Ai = 13 mm



length 120 mm
weight 17 g

Application and technical data

Tweezers for SMD/THT technology. The ESD-PVC dip-insulated tweezer tip prevents scratches, grease residues, dust residues on components to be protected. Also suitable for holding optics (laser optics and optical components) lenses, mirrors or sensitive crystals. The optical components can be picked up and held on the mount in a non-slip and protected manner.

Austenitic chromium-nickel stainless steel with low carbon content for good corrosion resistance (not seawater resistant).