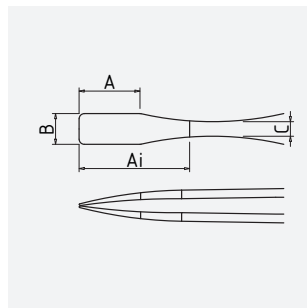


# ESD SMD tweezers 120 mm form 43 stainless steel, dissipative

<b>Art.-No.</b>	5-866-13
<b>Description</b>	ESD SMD tweezers 120 mm form 43 stainless steel, dissipative
<b>Application</b>	assembly tweezers, SMD/THT, precision tweezers, component tweezers, grasping shapes
<b>Specification</b>	not serrated jaws
<b>Material</b>	stainless steel
<b>Surface/Coating</b>	ESD powder coated
<b>Features</b>	stainless, antimagnetic, acid-resistant, dissipative
<b>Surface resistance</b>	$10^6$ to $10^9$ Ohm
<b>Shape</b>	FG: Flat-wide tips, straight
<b>Icon No.</b>	FG1

## Dimensions and weight

A = 20 mm  
 B = 4 mm  
 C = 4,5 mm  
 Ai = 13 mm



length 120 mm  
 weight 17 g

## Application and technical data

Tweezers for SMD/THT technology.

Austenitic chromium-nickel stainless steel with low carbon content for good corrosion resistance (not seawater resistant).