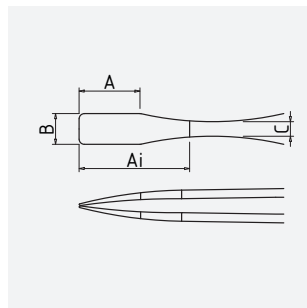


SMD tweezers 120 mm form 35a stainless steel

Art.-No.	5-867
Description	SMD tweezers 120 mm form 35a stainless steel
Application	grasping shapes
Specification	not serrated jaws
Material	stainless steel
Surface/Coating	matt finish
Features	stainless, antimagnetic, acid-resistant
Surface resistance	/
Shape	FG: Flat-wide tips, straight
Icon No.	FG1

Dimensions and weight

A = 6 mm
B = 5 mm
C = 3.8 mm
Ai = /



length 120 mm
weight 17 g

Application and technical data

Tweezers for SMD/THT technology.

Austenitic chromium-nickel stainless steel with low carbon content for good corrosion resistance (not seawater resistant).